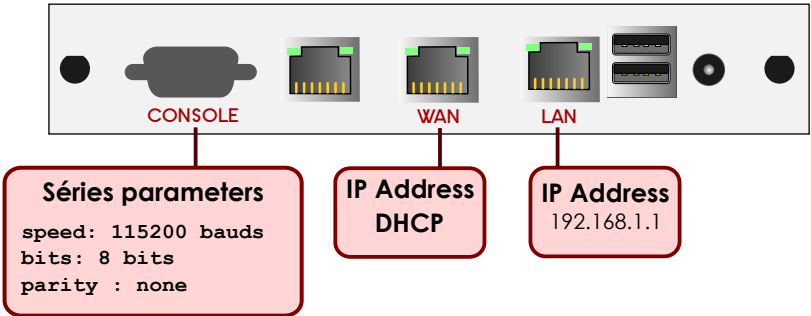




First boot and login

assemblé par **Calexium**

Your pfSense router assembled by Calexium you comes with the configuration below, from version **2.1.3**



You have two choices for starting your router.

1 - Using the serial port

If the default settings do not suit you . In this case , use a serial terminal , as PuTTY KITTY to connect to the router. Please configure your terminal settings serial connection indicate above. Once started you have access to a text menu with all possible operations.

2 - Using the web interface

According pfSense installed the access method is different. Configuration can be done through the default LAN port. If you want to access the configuration via the WAN port , please choose the options of pfSense since its WEB interface. Connect your machine for the configuration of your router on the LAN port. Make sure that it is a DHCP client to automatically obtain an IP address.

WEB access depending on the version of pfSense :

version 2 <https://192.168.1.1>

Parameter default web authentication

login : **admin**
password : **pfsense**